

# GENERAL ELECTRIC

## RENEWAL-PARTS BULLETIN

### Type CP-26-E2, -E3, and -E4, 125-volt Air Compressors

When ordering renewal parts, give quantity, catalog number, and description of each item required.

#### MOTOR

Ref. No.	No. Req. for Type CP-26-			Cat. No.	Description
	E2	E3	E4		
1	1			297626	Motor frame with pipe plugs
1		1		4755141	Motor frame with pipe plugs
1			1	38X311	Motor frame
	2	2		16089	Pipe plug for motor frame
2	1	1	1	769255P21	Eyebolt for motor frame (1 in.-8)
3	1	1	1	33X798	Frame head, commutator end, with armature bearing lining, set screw, dust cap, oil elbow, pipe plugs, and cable clips
	1	1	1	195130	Armature bearing lining, commutator end
	1	1	1	159777	Oil ring for armature bearing lining
	1	1	1	159778	Set screw for armature bearing lining
4	1	1	1	159779	Dust cap for frame head
5	4	4	4	248792	Screw fastening dust cap to frame head (14-24)
6	2	2	2	10805	Pipe plug for frame head (1/4 in.)
	1	1	1	16088	Pipe plug for frame head (3/4 in.)
7	1	1	1	159780	Service elbow for oil filler
8	1	1	1	159285	Plug for service elbow
	1	1	1	719413	Packing washer for plug
	2	2	2	437471	Small cable clip for frame head
	1	1	1	2702803	Large cable clip for frame head
	3	3	3	92X575	Screw for cable clip (3/8 in.-16)
9	1	1		159781	Frame head, pinion end, with screens
10	4	4		9825	Screw fastening frame head, commutator end, to motor frame (5/8 in.-11)
10			4	15887	Screw fastening frame head, commutator end, to motor frame (5/8 in.-11)
11	4	4		24552	Screw fastening frame head, pinion end, to motor frame (5/8 in.-11)
	8	8	4	54X558	Lock washer for 5/8 in. diam. screw
12	4	4	4	159608	Bolt fastening motor frame to compressor frame (3/4 in.-10)
13	2	2	2	159783	Dowel stud for motor frame (3/8 in.-16)
14	2	2	2	141255	Nut for dowel stud (3/8 in.-16)
	4	4		159784	Laminated pole piece
			4	737565G1	Laminated pole piece
15	8	8		9825	Screw fastening pole piece in position (5/8 in.-11)
15			8	159606	Bolt fastening pole piece in position (3/4 in.-10)
	8	8		54X558	Lock washer for 5/8 in. diam. screw
			8	54X549	Lock washer for 3/4 in. diam. bolt
	2	2	2	745719G1	Field coil, side, with leads and connectors
	2	2	2	745719G2	Field coil, top or bottom, with leads and connectors
	4	4	4	159787	Flange for field coil
	Δ	Δ		159788	Oiled canvas pad for field coil
			4	769438P1	Spring pad for field coil
	E2	E3	E4		

Δ Quantity variable.

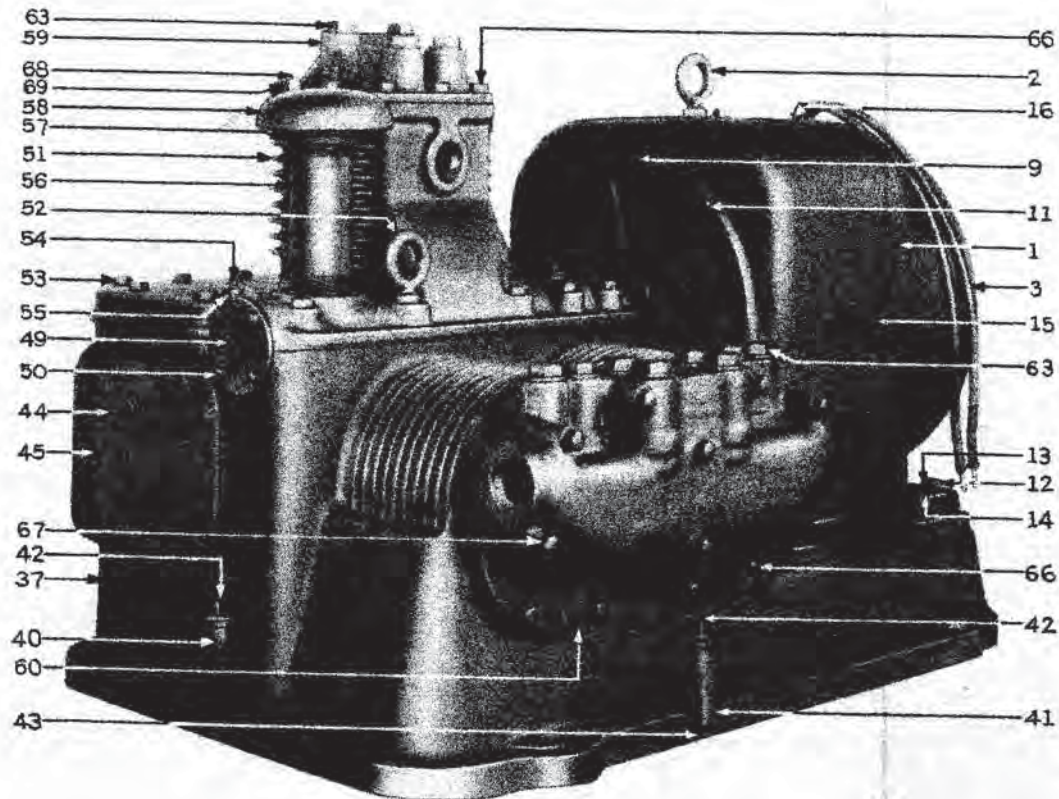
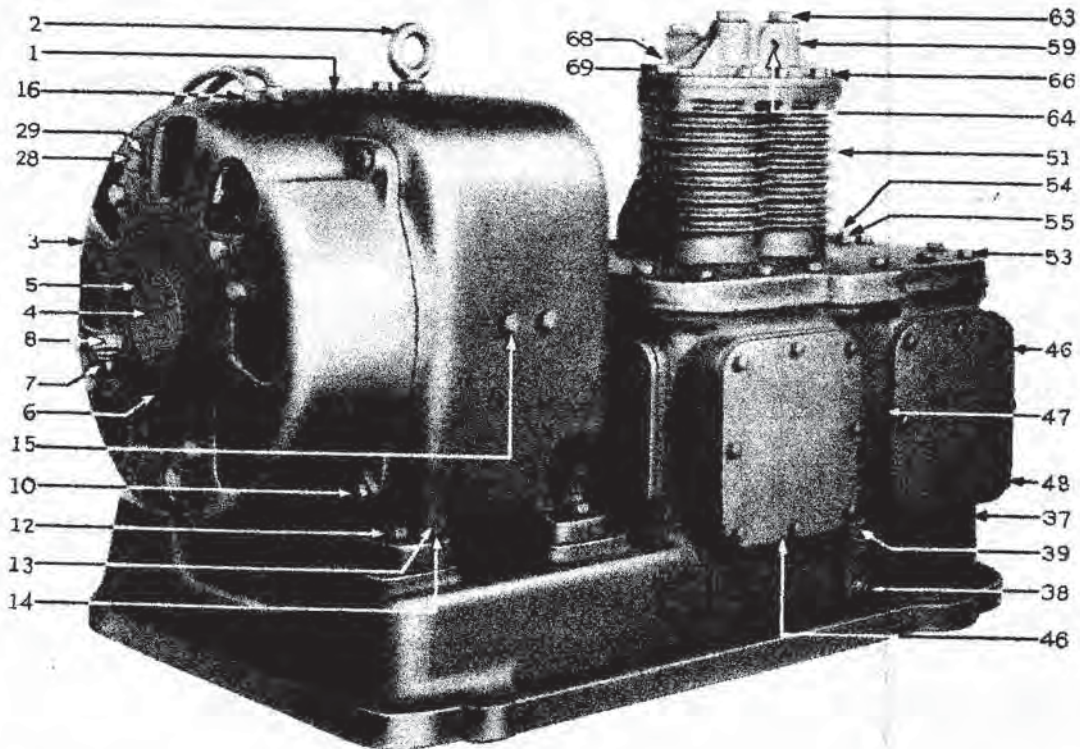
NOTE:-Data subject to change without notice.

\*Supersedes GEF-1783B.

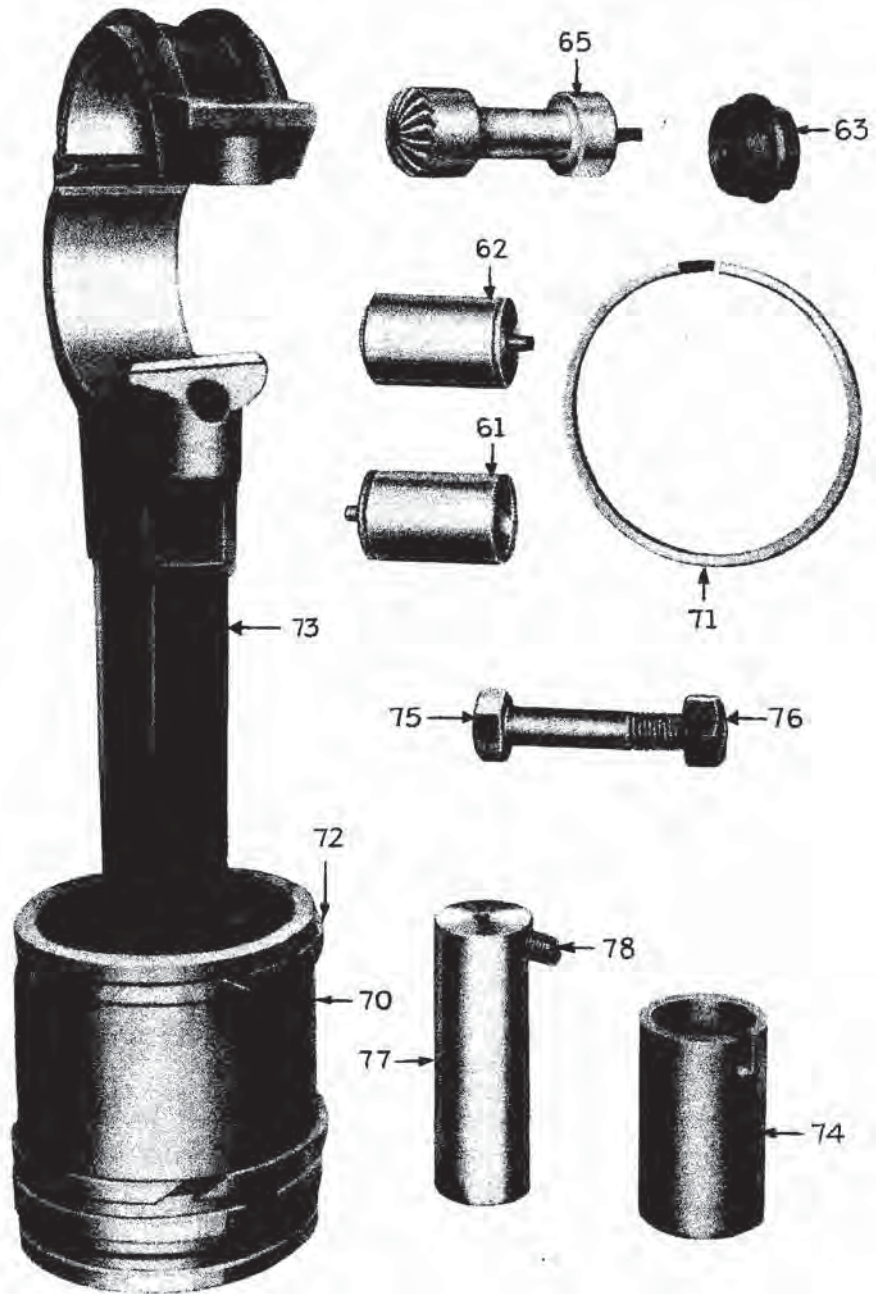
**GENERAL ELECTRIC**

GEF-17330

TYPE CP-26 AIR COMPRESSORS



Type CP-26-E2 Air Compressor



High Pressure Piston and Valves

# GENERAL ELECTRIC

GEF-1783C

TYPE CP-26 AIR COMPRESSORS

Ref. No.	No. Req. for Type CP-26-			Cat.No.	Description
	E2	E3	E4		
49	1	1	1	769270P1	Round end cover for compressor frame
	1	1	1	769270P2	Gasket for round end cover
50	4	4	4	133717	Screw fastening round end cover to frame (3/8 in.-16)
	1	1	1	100168	Armature bearing lining, pinion end
51	1	1		706799P1	High pressure cylinder
51			1	707999P1	High pressure cylinder
52	1	1	1	769255P20	Eyebolt for high pressure cylinder
53	17	17	17	10102	Screw fastening high pressure cylinder to frame (5/8 in.-11)
54	2	2	2	159822	Dowel stud for high pressure cylinder and frame (5/8 in.-11)
55	2	2	2	152503	Nut for dowel stud (5/8 in.-11)
56,57	1	1	1	2720927G1	Vent pipe with cover
58	1	1	1	176759	Cover for vent pipe
	2	2	2	128612	Screw fastening cover to vent pipe (14-24)
	2	2	2	123325	Nut for screw (14-24)
	2	2	2	54X617	Lock washer for No. 14 screw
59	1	1		260495	High pressure cylinder head with valves and plugs
59			1	4750446	High pressure cylinder head with valves and plugs
59	1	1		297622	High pressure cylinder head, bare
59			1	2741996P1	High pressure cylinder head, bare
60	1	1	1	297646	Low pressure cylinder head with valves and plugs
60	1	1	1	706798P5	Low pressure cylinder head, bare
61	6	6	6	769083	Inlet valve (1 1/4 in. hole in bottom)
62	6	6	6	769082	Outlet valve (pin hole in side)
63	12	12	12	443374	Valve plug for cylinder head
64	1	1	1	48232	Pipe plug for high pressure cylinder head
	3	3	3	156276	Pipe plug for low pressure cylinder head
65	1	1	1	710406	Valve seat reamer
	1	1		769239	Gasket for high pressure cylinder head
			1	4750226	Gasket for high pressure cylinder head
	1	1	1	159838	Gasket for low pressure cylinder head
66	15	15	15	159839	Screw fastening high pressure cylinder head to cylinder or short screw fastening low pressure cylinder head to frame (5/8 in.-11)
67	8	8	8	159841	Long screw fastening low pressure cylinder head to frame (5/8 in.-11)
68	2	2		714039	Dowel stud for high pressure cylinder head and cylinder (5/8 in.-11)
69	2	2		152503	Nut for dowel stud (5/8 in.-11)
	2	2	2	219389	High pressure piston (+5 3/4 in. diam.) with piston rings and connecting rod
	2	2	2	222362	High pressure piston (+5 3/4 in. diam.) with piston rings
70	2	2	2	159846	High pressure piston (+5 3/4 in. diam.), body only
					NOTE:-Oversize pistons, 5 13/16 in. or 5 7/8 in. diam., can be furnished as follows:-
	2	2	2	219390	High pressure piston (+5 13/16 in. diam.) with piston rings and connecting rod
	2	2	2	222363	High pressure piston (+5 13/16 in. diam.) with piston rings
70	2	2	2	159847	High pressure piston (+5 13/16 in. diam.), body only
	2	2	2	219391	High pressure piston (+5 7/8 in. diam.) with piston rings and connecting rod
	2	2	2	222364	High pressure piston (+5 7/8 in. diam.) with piston rings
70	2	2	2	159848	High pressure piston (+5 7/8 in. diam.), body only
71	6	6	6	159849	High pressure piston ring, not beveled (+5 3/4 in. diam., 0.375 in. wide)
71	6	6	6	159850	High pressure piston ring, not beveled (+5 13/16 in. diam., 0.375 in. wide)
71	6	6	6	159851	High pressure piston ring, not beveled (+5 7/8 in. diam., 0.375 in. wide)
	E2	E3	E4		

+ These are cylinder bore diameters. A suitable working allowance being made on the piston diameter.